

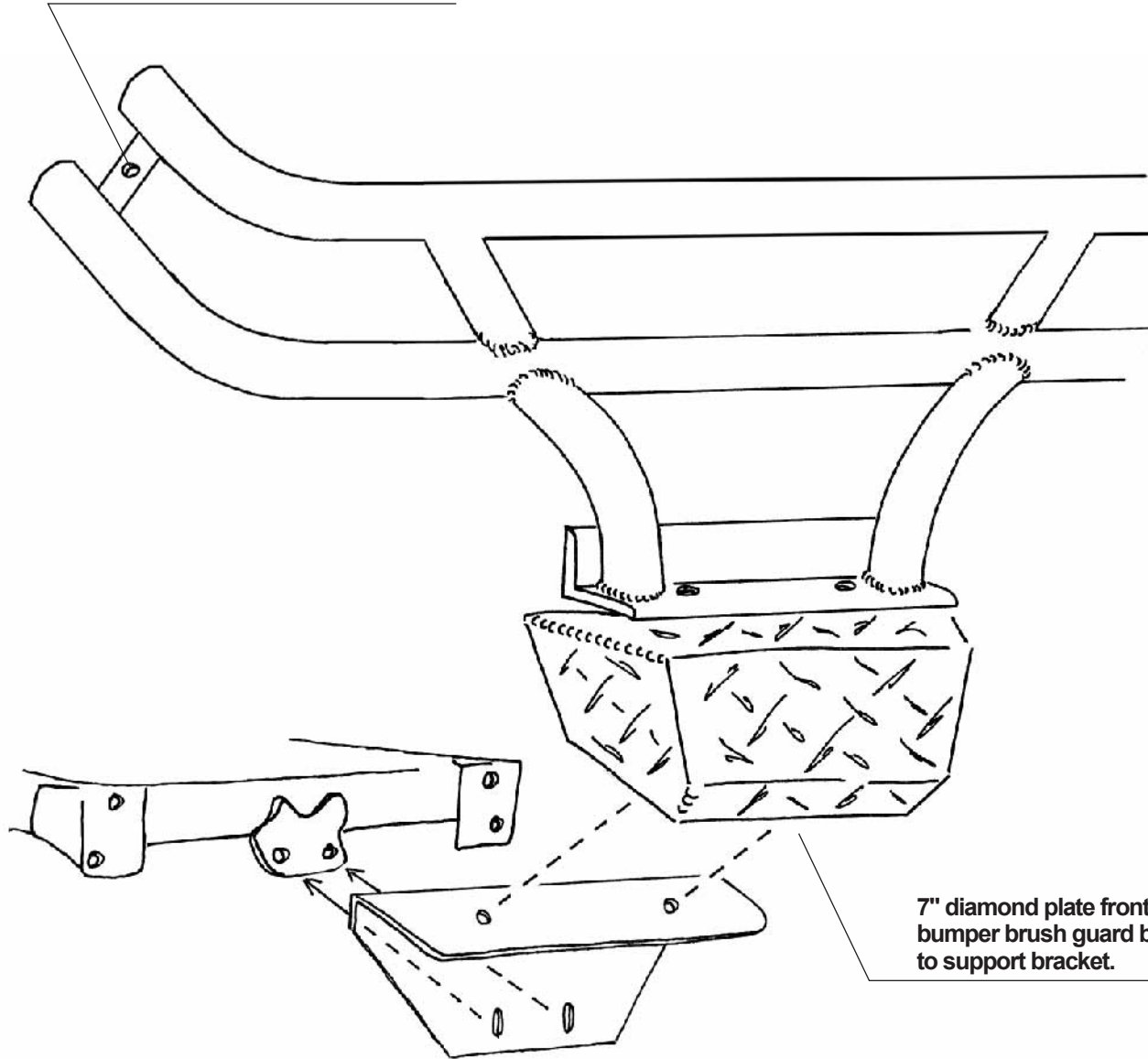
# Bumper Brush Guard for Yamaha

Fits Models: G-14, G-16, G-19



## -Installation Instructions-

Bolt through rubber trim to glove box



7" diamond plate front cover & bumper brush guard bolt on to support bracket.

Support bracket bolts directly on to front bumper frame

**DISCLAIMER:** All lift kit or accessory installations should only be performed by professional mechanics. The buyer assumes sole responsibility for, and shall indemnify the dealer/retailer, from any and all liability, claim, responsibility, and damage, or any costs or expenses resulting from any loss of life or injuries or claimed injuries to persons or property that may be sustained in connection with the use of any product before or after purchase, including but not limited to lift kits. Dealer/retailer reserves the right, at any time, to discontinue or change prices, specifications, features, designs, models or equipment without further notice and without incurring any further obligations.