

3" / 4" / 5" / 7" E-Z-Go Lift Kit (2 passenger)

Fits Years 1994 - 2003 □ □ □ □

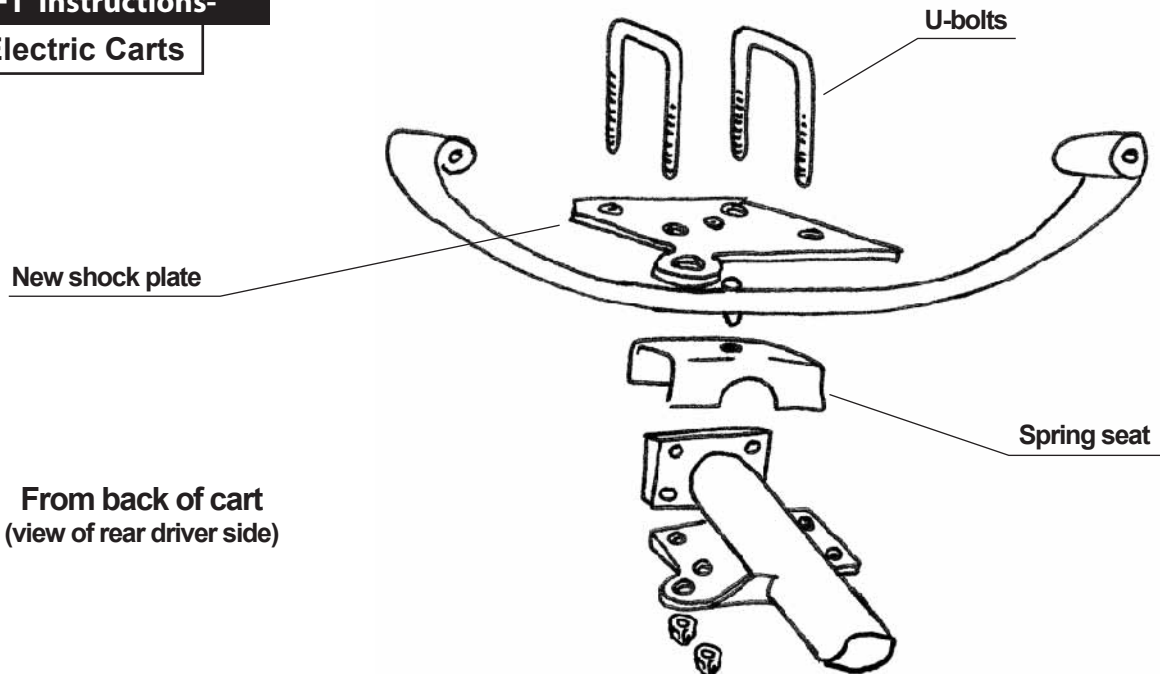
Note: This is a bolt-on lift kit. Offset wheels recommended

Basic steps for both gas and electric.

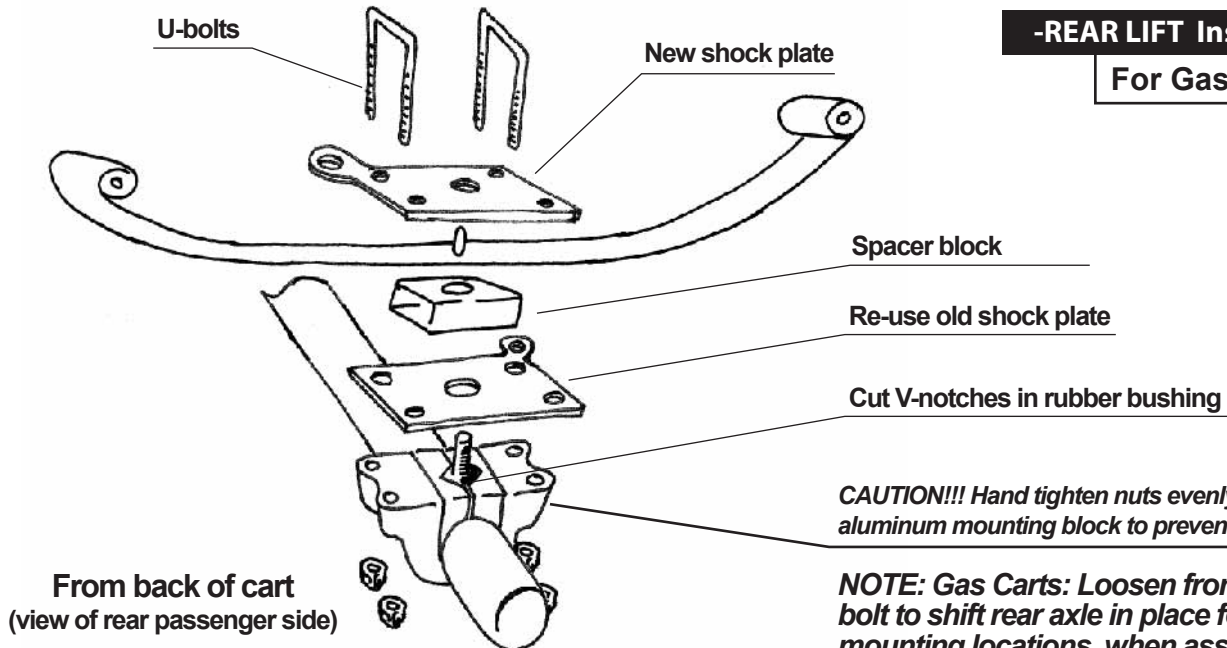
Take springs off and put them on top of axle.



-REAR LIFT Instructions- For Electric Carts



-REAR LIFT Instructions- For Gas Carts



CAUTION!!! Hand tighten nuts evenly under aluminum mounting block to prevent breaking.

NOTE: Gas Carts: Loosen front motor mount bolt to shift rear axle in place for spring mounting locations, when assembly is complete, tighten motor mount back down.